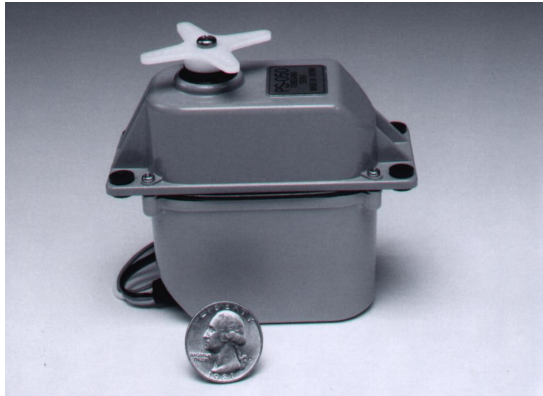




Official Distributor for Tonegawa Seiko Servos



## Applications

- Animatronics
- R.P.V.s
- Special effects
- Remote motion
- Robotics

## Features

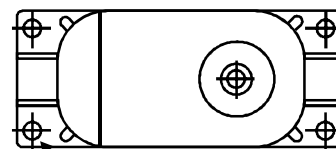
- Aluminum case
- Heavy duty gears
- RC Ready
- Moisture-proof
- RFI/EMI Shielded

## General

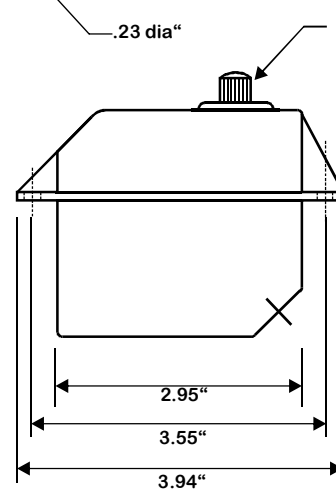
A precision electro-mechanical servo for radio control applications with requirements exceeding those of recreational hobby servos. The “muscle” servo for RPV, UAV projects, industrial and special effects robotics. Ruggedly designed and built for hostile environments and performance-critical applications.

## Specifications

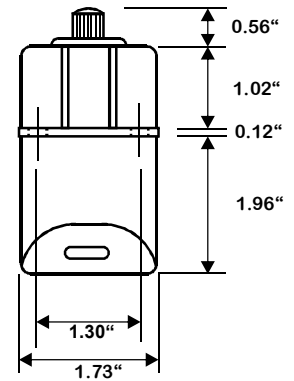
<b>Voltage</b>	<b>4.8 - 9.0 V - not shared w/ receiver.</b> 12 V OK with light duty cycle.
<b>Suggest fuse</b>	<b>2 amp fast blow</b>
<b>Current:</b>	<b>Tested @ 6.0 V-Suggested Voltage</b>
<b>Idle</b>	<b>8 mA</b>
<b>Running</b>	<b>350 mA (no load)</b>
<b>Stall</b>	<b>4.5 A</b>
<b>Start torque</b>	<b>486 oz/in.</b>
<b>Hold torque</b>	<b>7.5 lbf/in. 100% Duty Cycle @25°C</b>
<b>Speed</b>	<b>0.29 Sec/60° (no load)</b>
<b>Input Signal</b>	<b>Standard R/C PWM 3-5 V</b> <b>neutral 1.51 mS +/- 600 µS.</b>
<b>Travel</b>	<b>+ 60°</b>
<b>Operating temp.</b>	<b>-10° C to +80° C</b>
<b>Weight</b>	<b>10 oz.</b>
<b>Cables</b>	<b>3-wire R/C receiver plug (input)</b> <small>(RED=+5; BROWN=GND.; ORG.=SIGNAL.)</small> <b>2-wire 18 awg pig tail (pwr/supply)</b> <small>(RED=POSITIVE VDC; WHITE=POWER GND.)</small>



Supplied with 4 types of output arms and shock absorbing mounting hardware.



36 splines for 10° mount increments



Cycle life of actuator could vary depending on operating conditions. Tolerances are ± 5%.  
 Not intended for medical use. Specification may change without notice. Rated load @ 50% duty cycle.

6-23-14